

SEALS IN SHIPBUILDING

SAFETY - PROTECTION - RELIABILITY

ULMAN GLAND PACKING

Reliable sealing of rotating ship shafts – prevents water ingress while maintaining controlled lubrication.

ULMAN OIL SEALS

for the reliable separation of lubricants, as well as water, dirt and external influences.

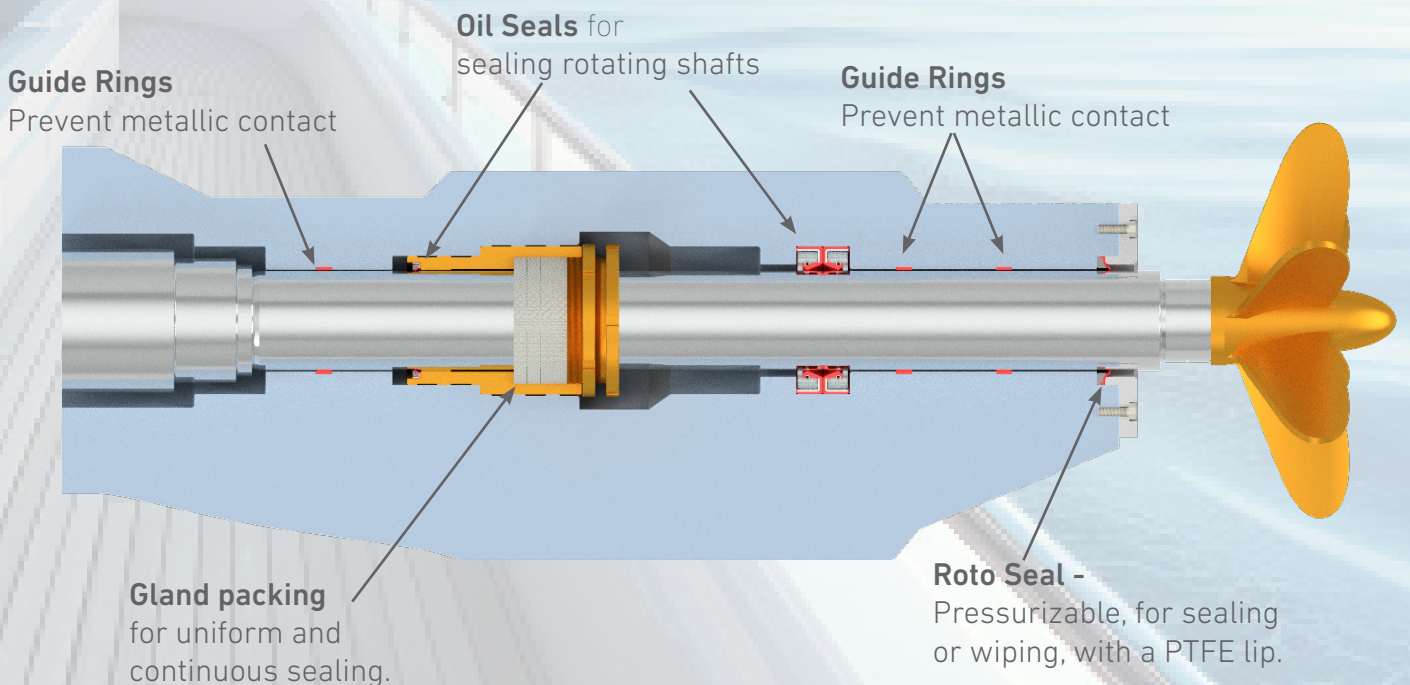
ULMAN GUIDE RINGS

Precise guidance of pistons and piston rods to accommodate lateral forces and prevent metal-to-metal contact.

ULMAN ROTO SEAL

Pressurizable solutions (up to 4 MPa) for sealing and wiping on rotating shafts – with PTFE lip.

- ✓ Protection against water ingress
- ✓ Higher operational reliability
- ✓ Less wear
- ✓ Longer service life
- ✓ Individual solutions
- ✓ Fast delivery



SEALING PROBLEMS ON BOARD?
We deliver the right solution.



+49 (0)7034 2518-0



info@ulman.de



www.ulman.de

